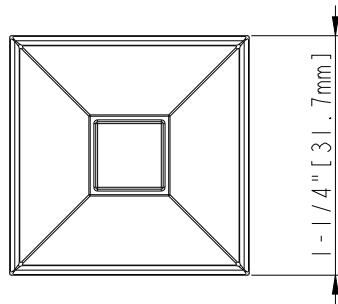
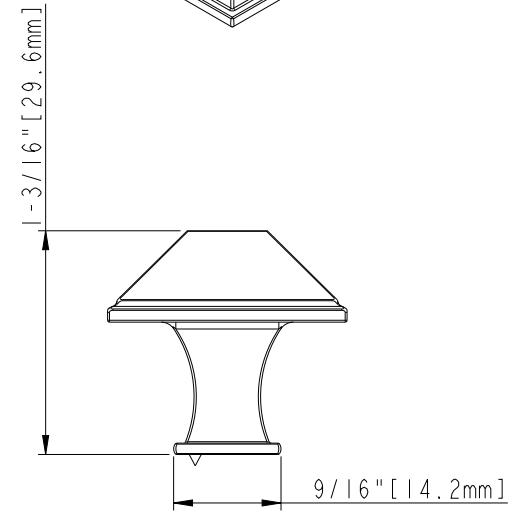
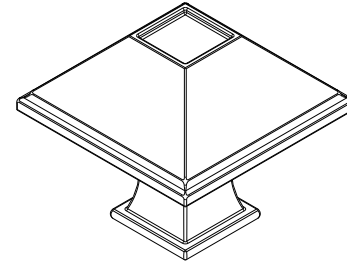
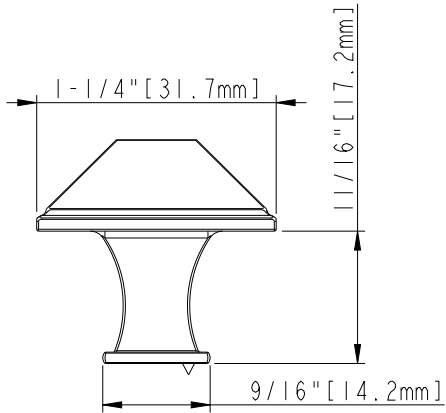


8-32 UNC - ∇ 1/2"



ACCESSORY:
 SCREW: 8-32X1-1/8" 1PCS
 BREAK AWAY SCREW: 8-32x45 1PCS
 ALL SCREW MATERIAL: STEEL-SAE1006

	ITEM#: 602S		MATERIAL: Zamak 3		
	Finish:		WEIGHT: 86.7g/0.190lbs		
<p>PROPRIETARY AND CONFIDENTIAL</p> <p>THE INFORMATION CONTAINED IN THIS DRAWING IS THE SOLE PROPERTY OF HARDWARE RESOURCES INC. ANY REPRODUCTION IN PART OR AS A WHOLE WITHOUT THE WRITTEN PERMISSION OF HARDWARE RESOURCES INC. IS PROHIBITED.</p>	TOLERANCE UNLESS OTHERWISE SPECIFIED: X ±0.20 X.X ±0.10 X.XX ±0.05 ANGULAR: ±0.5°		UNITS:	DRAWN BY: Alexander.W	DATE: Jul-09-21
	DO NOT SCALE DRAWING		SIZE:	APPROVED BY:	DATE:
			SHEET:	RELEASE LEVEL:	REVISION: